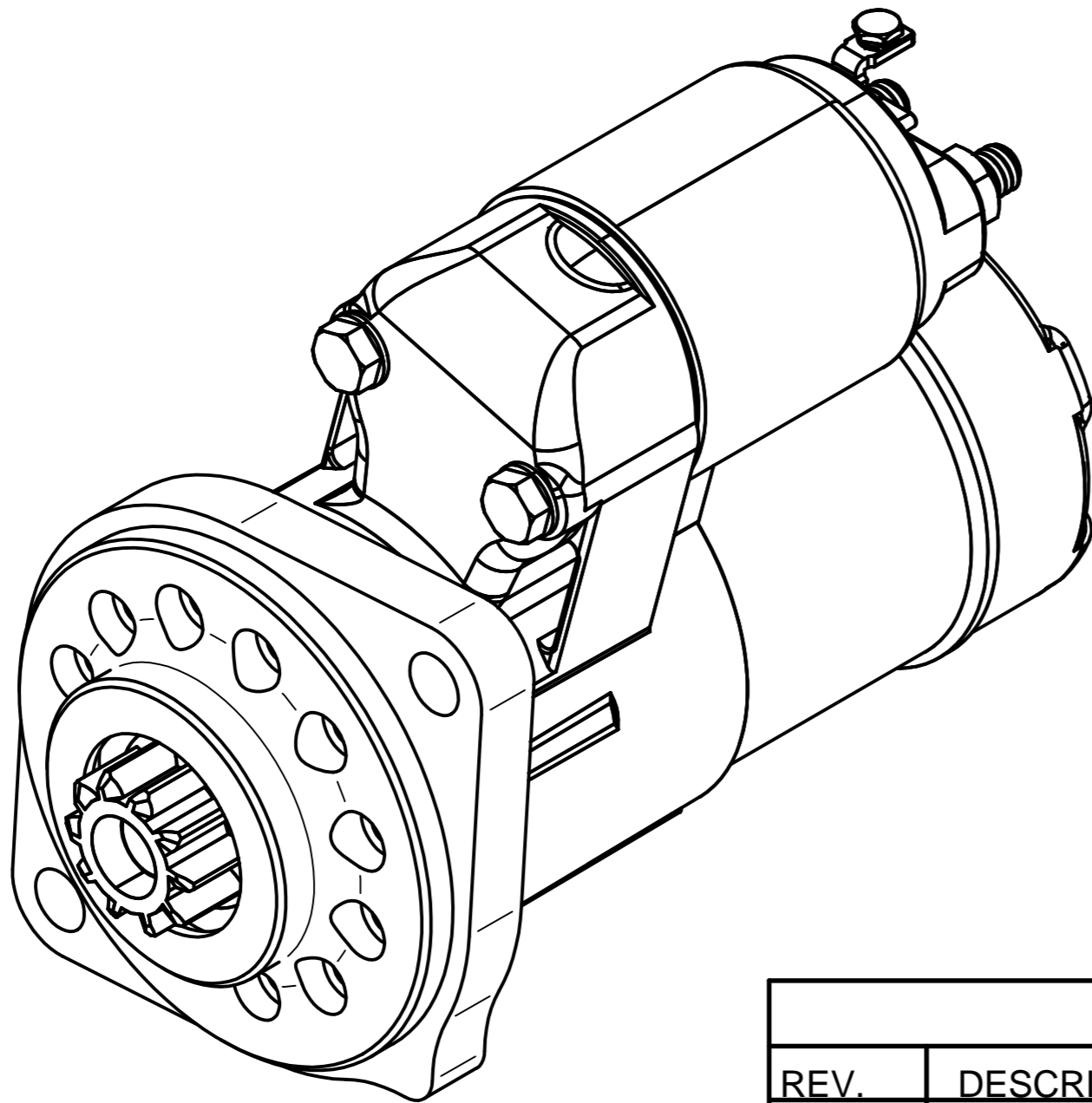
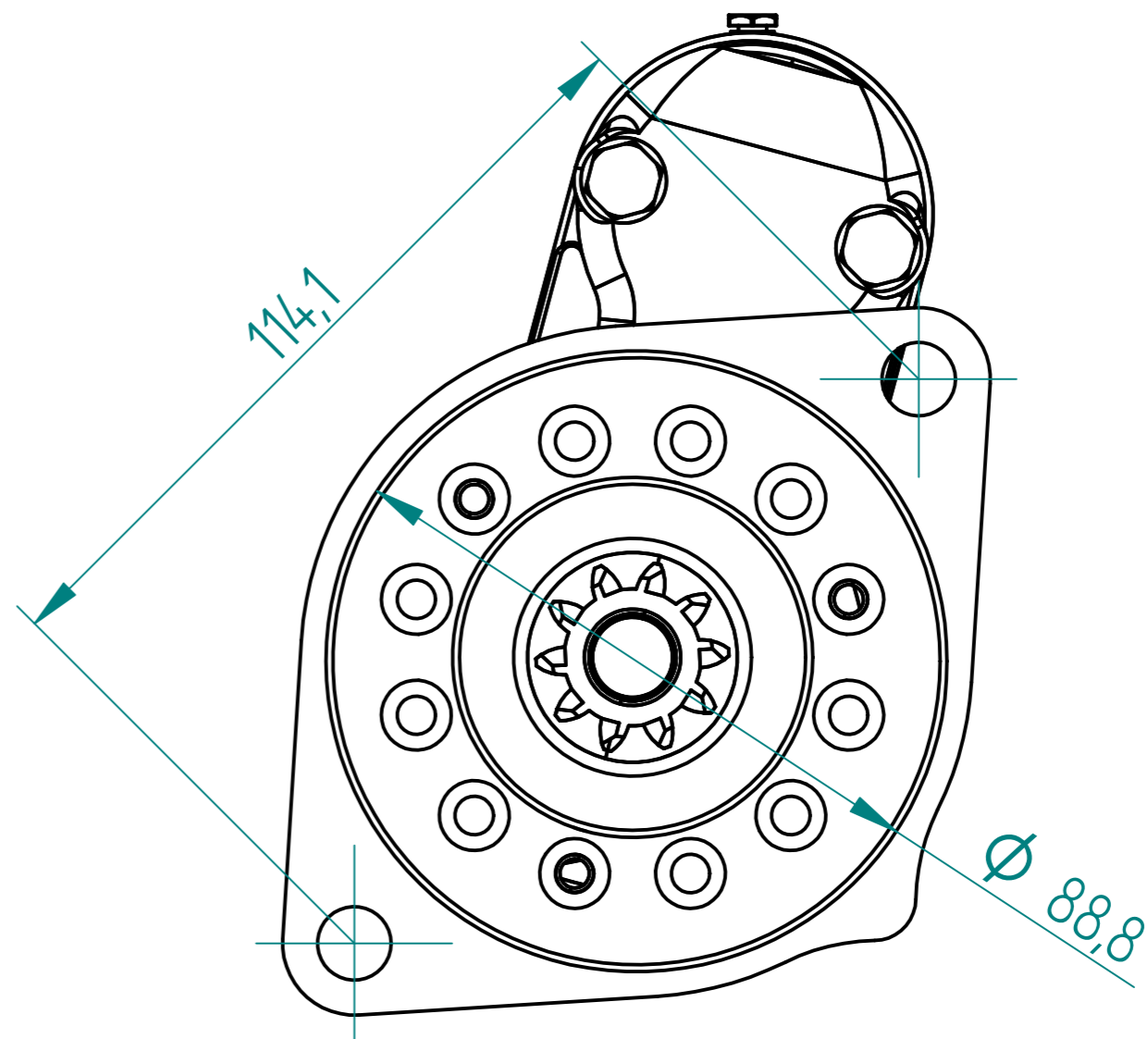
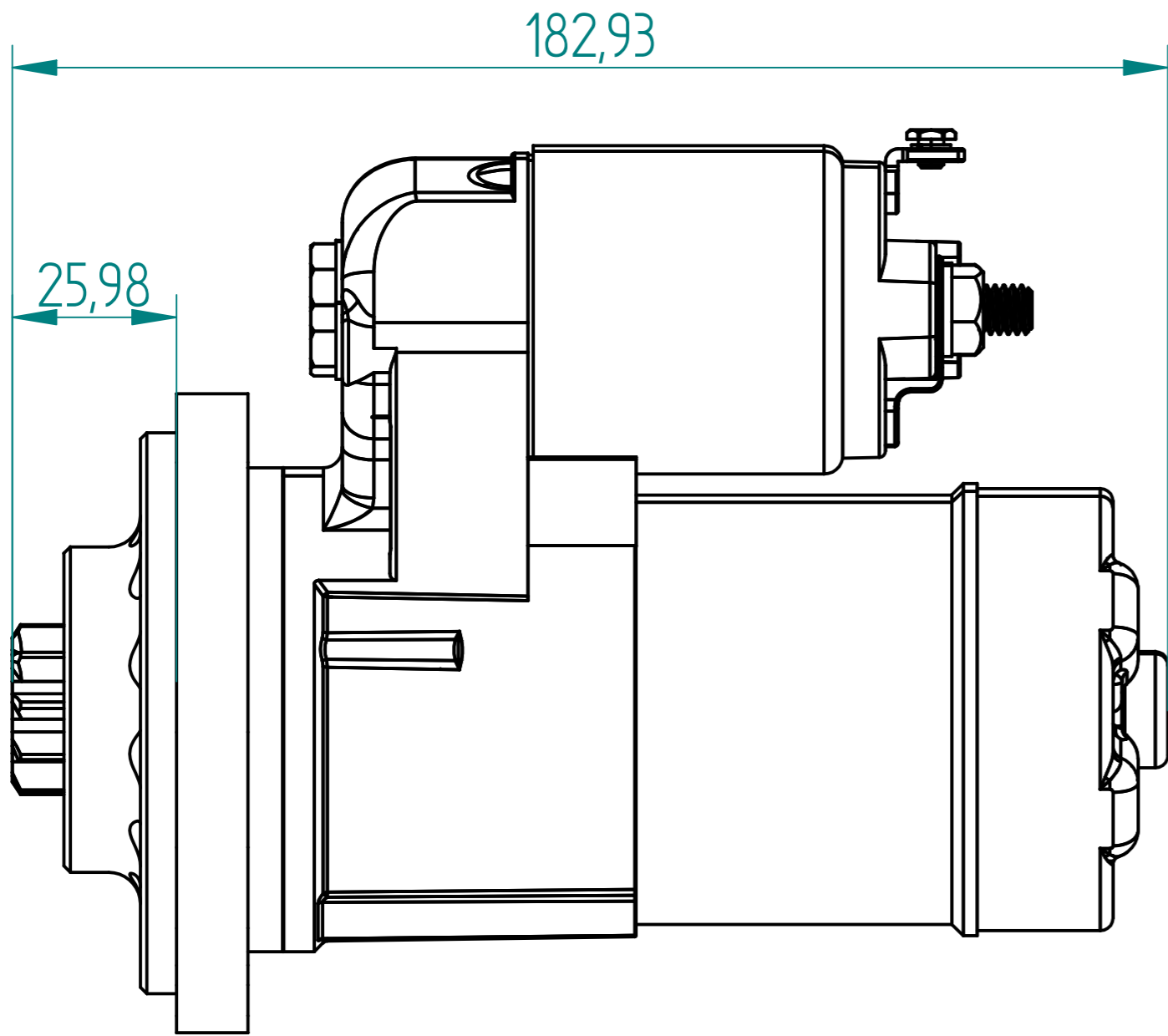


# Mini/ Mini Cooper Post 1980 Starter. Part # M892910PGR



Material			Finish		
Drawn	Name	Date			
Checked	S.W.	28/10/10			
Appro					
Note.					
Unless otherwise stated all dimensions in mm.			Project: Mini/ Mini Cooper Post 1980 Starter.		
			Item: M892910PGR		
			Maximum Torque:		
Status			Scale 1:1	Sheet 1 of 1	Mass: 2.7kg
© Copyright Brise Ltd. Unit Q3 Northfleet Industrial Estate DA11 9SN All Rights Reserved					

REVISION HISTORY			
REV.	DESCRIPTION	DATE	APPRO