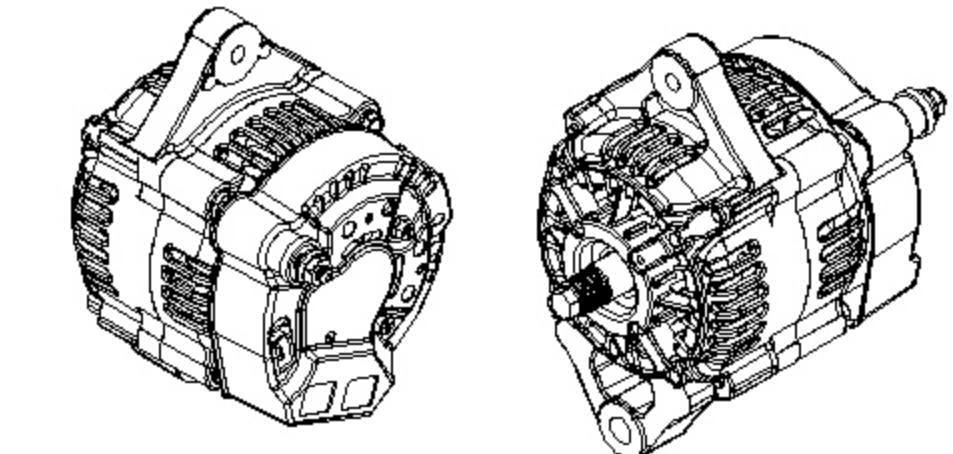
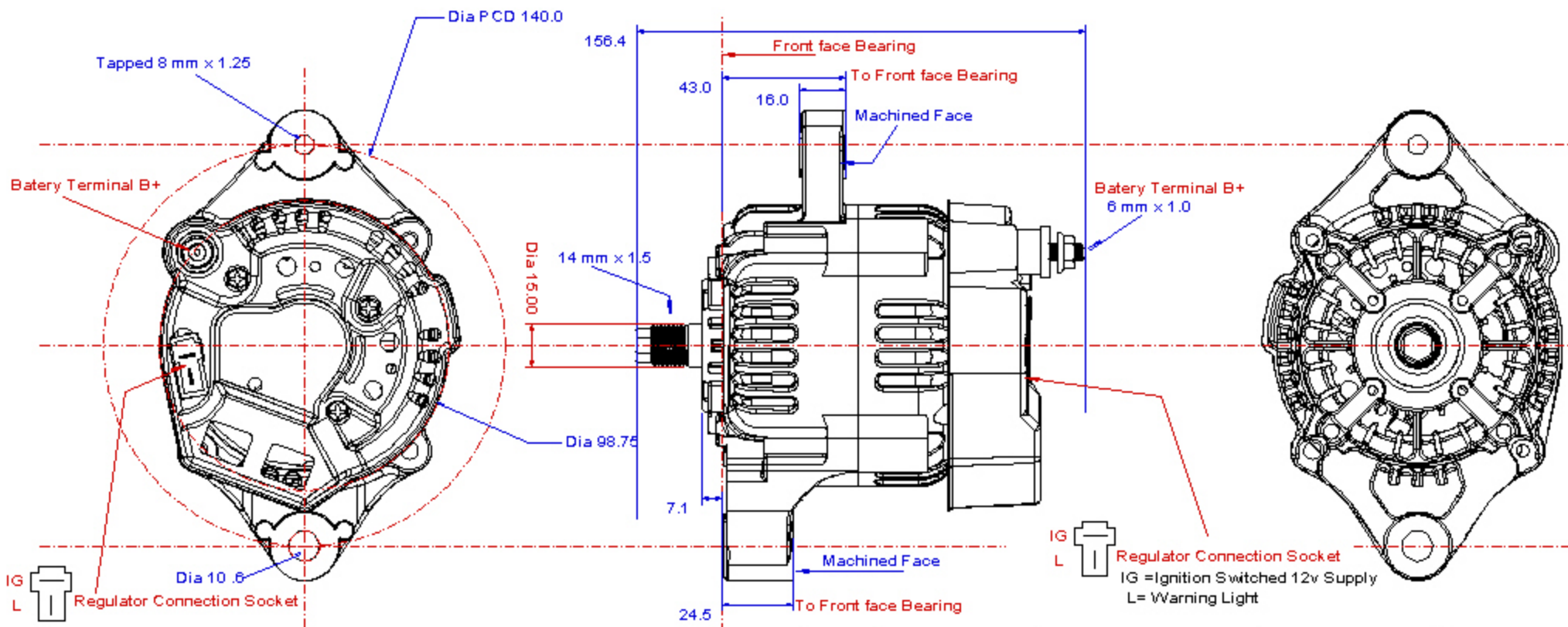


Do Not Scale

REV	DESCRIPTION	DATE	APPRO



BRISE Auto-Electrical Systems
MODEL 8172 / S
STATOR 93 mm Dia
OUTPUT 90 amps nominal
B + POST AXIAL TO ROTOR

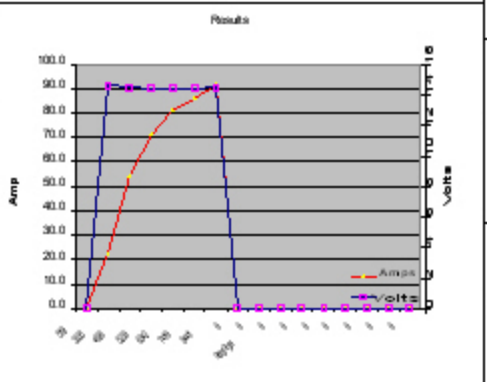
TEST SHOP Result **PASS**

Alternator Type 8172 / S N/D 90AMP MAX

Serial No. 3RD26/03/07 Test date: 26/07/2007 14:18

Test Parameters		Results			
Rotor Rpm	Volts	Amps	Rotor Rpm	Volts	Amps
3000		Cut in	519	0	0.0 lamp
3500	13.5	20	3635	14.6	22.3 g
4500	13.5	50	4696	14.5	54.5
5000	13.5	70	5230	14.4	71.2
6000	13.5	80	6342	14.4	80.9
7000	13.5	85	7410	14.4	86.1
8000	13.5	90	8441	14.5	91.8

Tested to specified limits
 Lampluss = FALSE



NAME	DATE	BRISE Auto-Electrical Systems
DRAWN: TM	26/07/07	BRISE Auto-Electrical Systems TITLE: Alternator8172 S UNLESS OTHERWISE SPECIFIED DIMENSIONS ARE IN MILLIMETERS ANGLES 0.02° 2 PL 40 10 3 PL 40 025
CHECKED:		
ENG APPR:		
MDR APPR:		
SCALE: Full	WO: 9390A	REV: A
Cal file: 9390A.asy		SHEET: 1