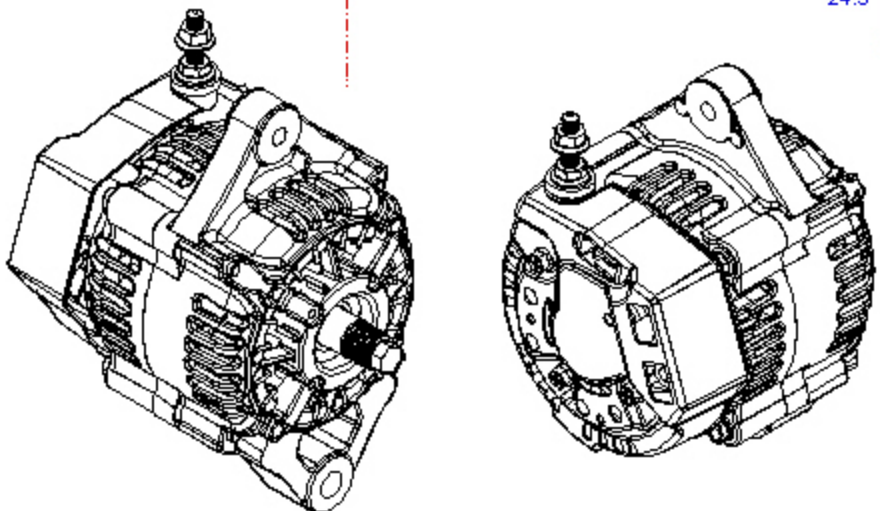
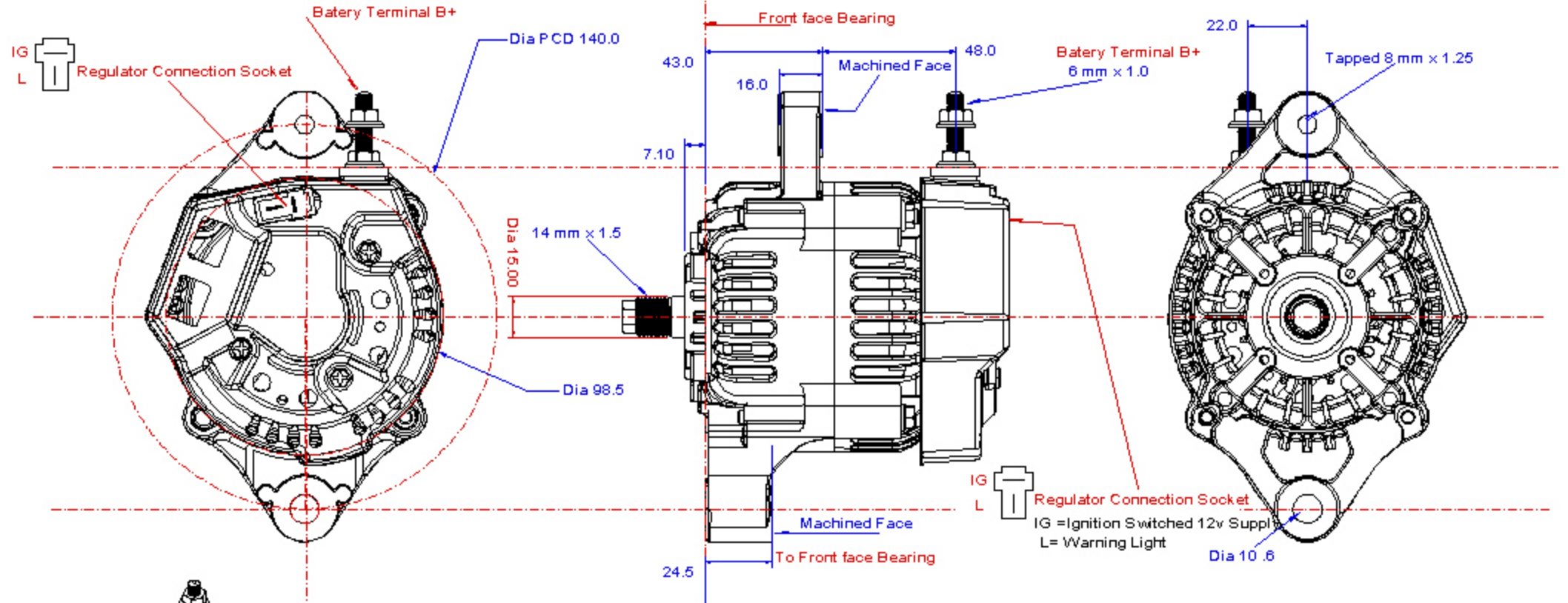
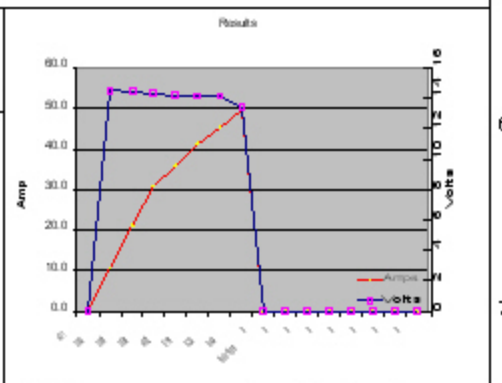


**Do Not Scale**

REVISION HISTORY			
REV	DESCRIPTION	DATE	APPRO



<b>BRiSE Auto-Electrical Systems</b>		MODEL 8172 STATOR 93 mm Dia OUTPUT 40 amps nominal B + POST RADIAL TO ROTOR
Alternator Test Report		Result PASS
Alternator Type	8172	N/D 50 AMP MAX
Serial No.	1ST23/07/07	Test date: 26/07/2007 12:39
Test Parameters		Results
Rotor Rpm	Volts	Amps
2000	Cut in	431 0 0.0 lamp
3000	13.5	10 3086 14.5 10.8
3000	13.5	20 3079 14.4 21.3
3500	13.5	30 3584 14.3 30.7
4500	13.5	35 4652 14.2 35.8
5000	13.5	40 5164 14.1 41.2
6000	13.5	45 6268 14.1 45.1
8000	13.5	50 8404 13.4 49.5
Tested to specified limits		
Lampless = FALSE		



NAME	DATE	<b>BRiSE Auto-Electrical Systems</b>
DRAWN	TM 26/07/07	
CHECKED		
ENG APPR		
TITLE		Alternator 8172
UNLESS OTHERWISE SPECIFIED DIMENSIONS ARE IN MILLIMETERS		SCALE: Full
ANGLES 40/20°		WEIGHT:
2 PL 40/10/3 PL 40/25		SHEET 1