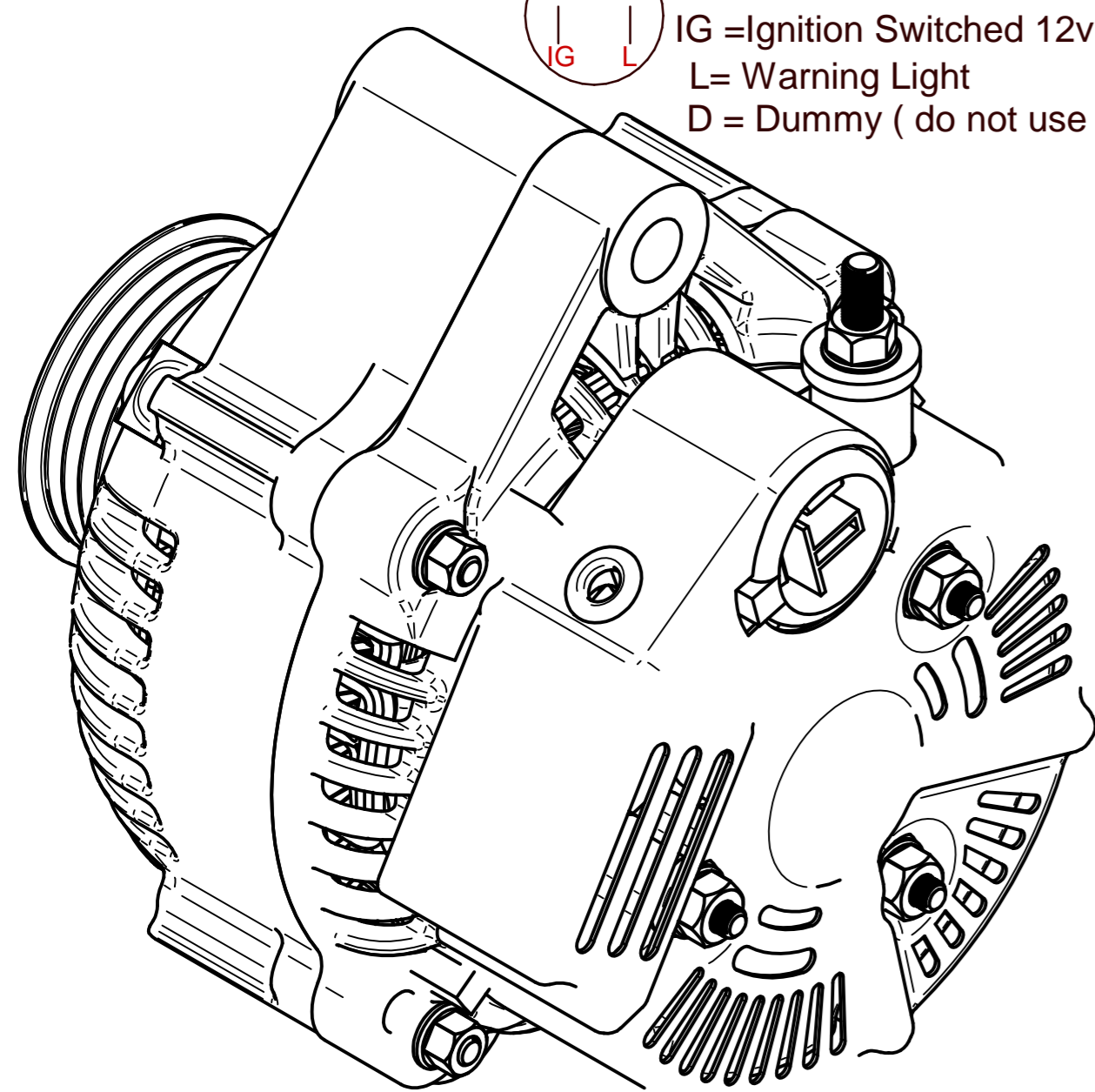
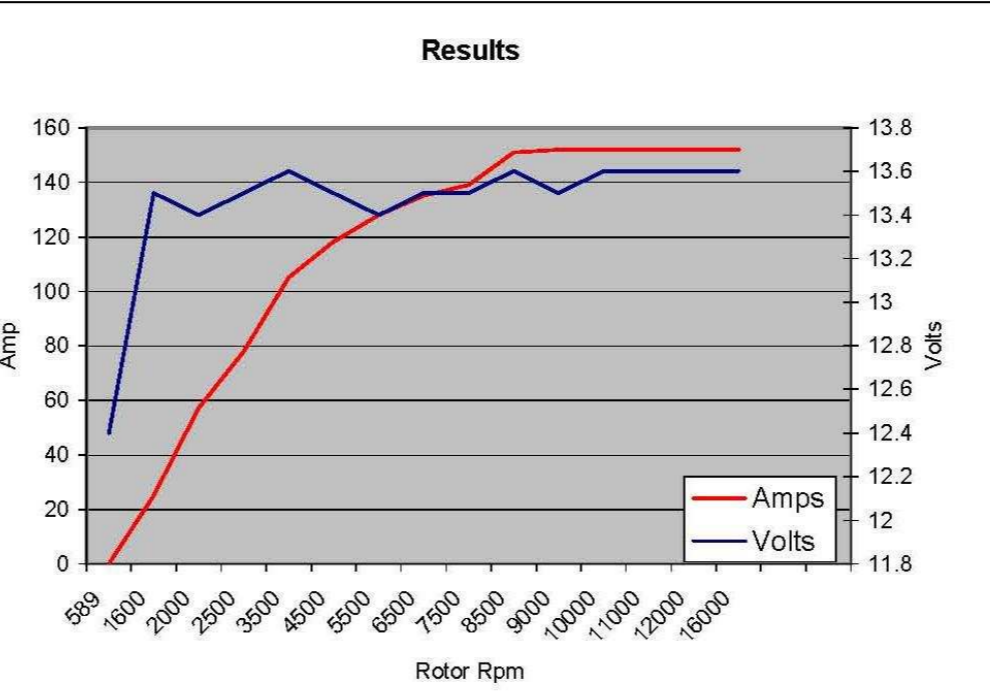


Regulator Connection Socket
 IG = Ignition Switched 12v Supply
 L = Warning Light
 D = Dummy (do not use)



| Rotor Rpm | Volts | Amps |
|-----------|-------|------|
| 589 | 12.4 | 0 |
| 1600 | 13.5 | 25 |
| 2000 | 13.4 | 57 |
| 2500 | 13.5 | 78 |
| 3500 | 13.6 | 105 |
| 4500 | 13.5 | 118 |
| 5500 | 13.4 | 128 |
| 6500 | 13.5 | 135 |
| 7500 | 13.5 | 139 |
| 8500 | 13.6 | 151 |
| 9000 | 13.5 | 152 |
| 10000 | 13.6 | 152 |
| 11000 | 13.6 | 152 |
| 12000 | 13.6 | 152 |
| 16000 | 13.6 | 152 |



| | | | |
|---|--------------------|--------------|---------|
| material | finish | | |
| name | date | | |
| drawn | | | |
| checked | | | |
| appro | | | |
| note | Project | | |
| | Item 81-51/ 81-51S | | |
| | cadfile | | |
| status | scale 1/1 | sheet 1 of 1 | Issue A |
| © Copyright Brise Ltd. Unit Q3 Northfleet Industrial Estate DA11 9SN All Rights Reserved | | | |